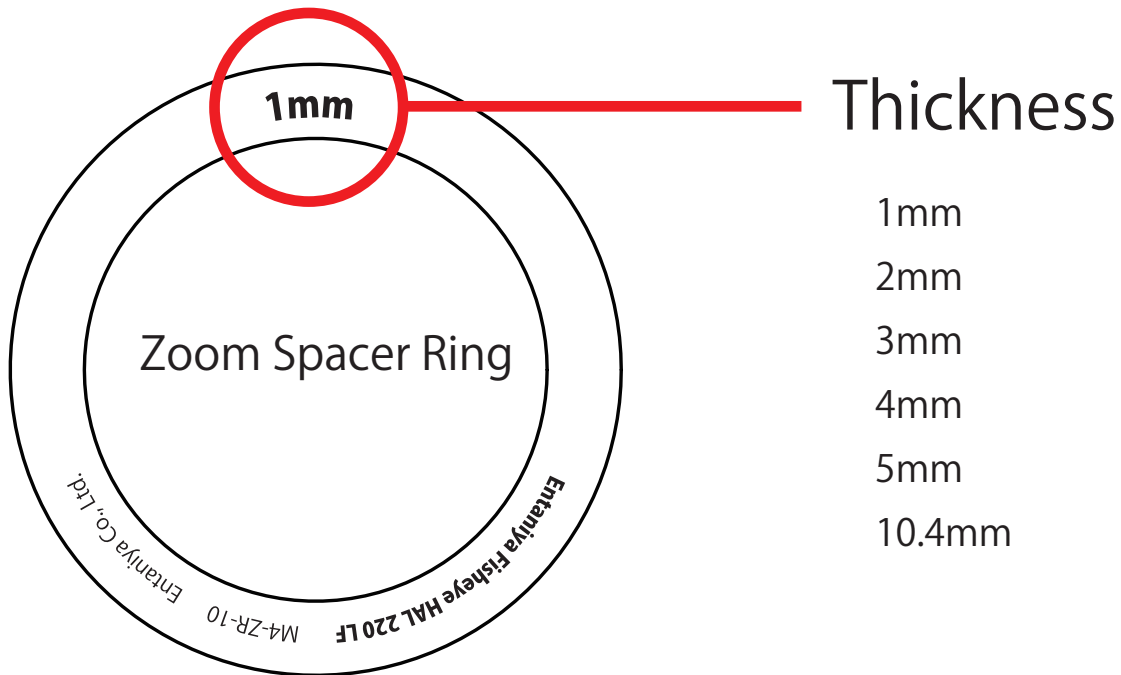


Entaniya Fisheye HAL 220 LF PL



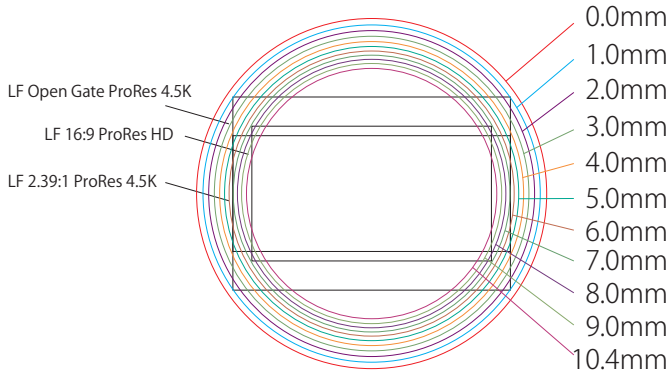
Focal Length Table

Thickness (mm)	Image Circle (mm) @180°	Image Circle (mm) @220°	Focal Length(mm)
0mm (Without a spacer)	Φ38.9	Φ46.3	12.6
1mm	Φ37.5	Φ44.6	12.1
2mm	Φ36.2	Φ43.1	11.7
3mm	Φ34.9	Φ41.6	11.3
4mm	Φ33.8	Φ40.2	10.9
5mm	Φ32.7	Φ38.9	10.6
6mm (1+5)	Φ31.7	Φ37.7	10.3
7mm (2+5)	Φ30.7	Φ36.6	10.0
8mm (3+5)	Φ29.8	Φ35.5	9.7
9mm (4+5)	Φ28.9	Φ34.4	9.4
10.4mm	Φ27.8	Φ33.1	9.1

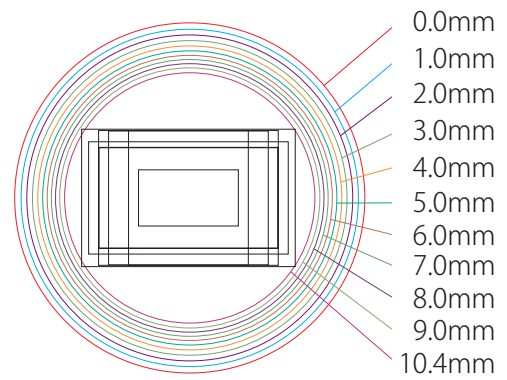
DO NOT USE MORE THAN 3 SPACERS.

DO NOT USE THE SPACER RINGS THAT MORE THAN 10.4mm THICK.

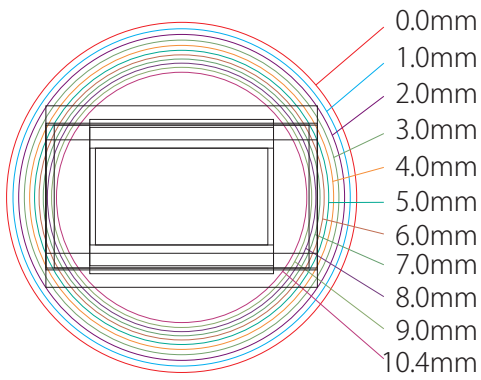
ALEXA LF



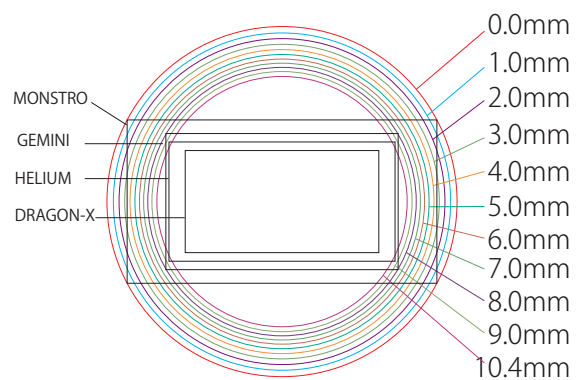
ALEXA MINI



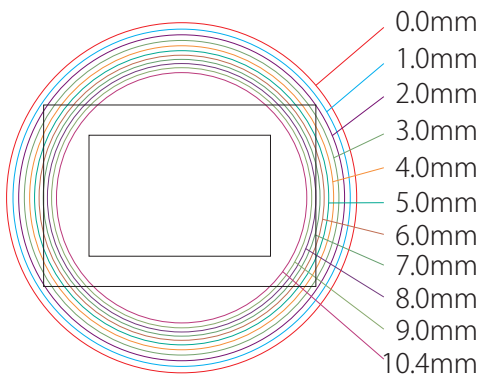
SONY VENICE / 35mm Fullsize



RED



KINEFINITY



Z cam

